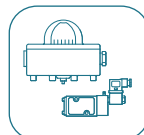
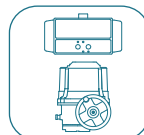
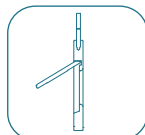
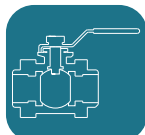
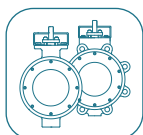
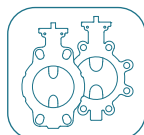


2PC Thread ends ball valve

Fig.120



www.coreline.dk



General information

Coreline Fig.120 stainless steel ball valves are usable for air, gas, water, oil and liquids without too much dirt, because this will destroy tightness and increase torque due to construction of ball valves in general. Always ensure the material of ball valve is suitable for the medium and check pressure and temperature limitation.

Design features

- Standard DIN3202 M3 face to face dimension.
- 2-piece compact design of body.
- Full bore for better Kv/Cv value.
- Wax casting stainless steel with smooth surface.
- Anti-blow out stem design.
- CE, SIL3 and EU1935/2004 approved.
- Certificate EN10204 - 3.1.



Specifications

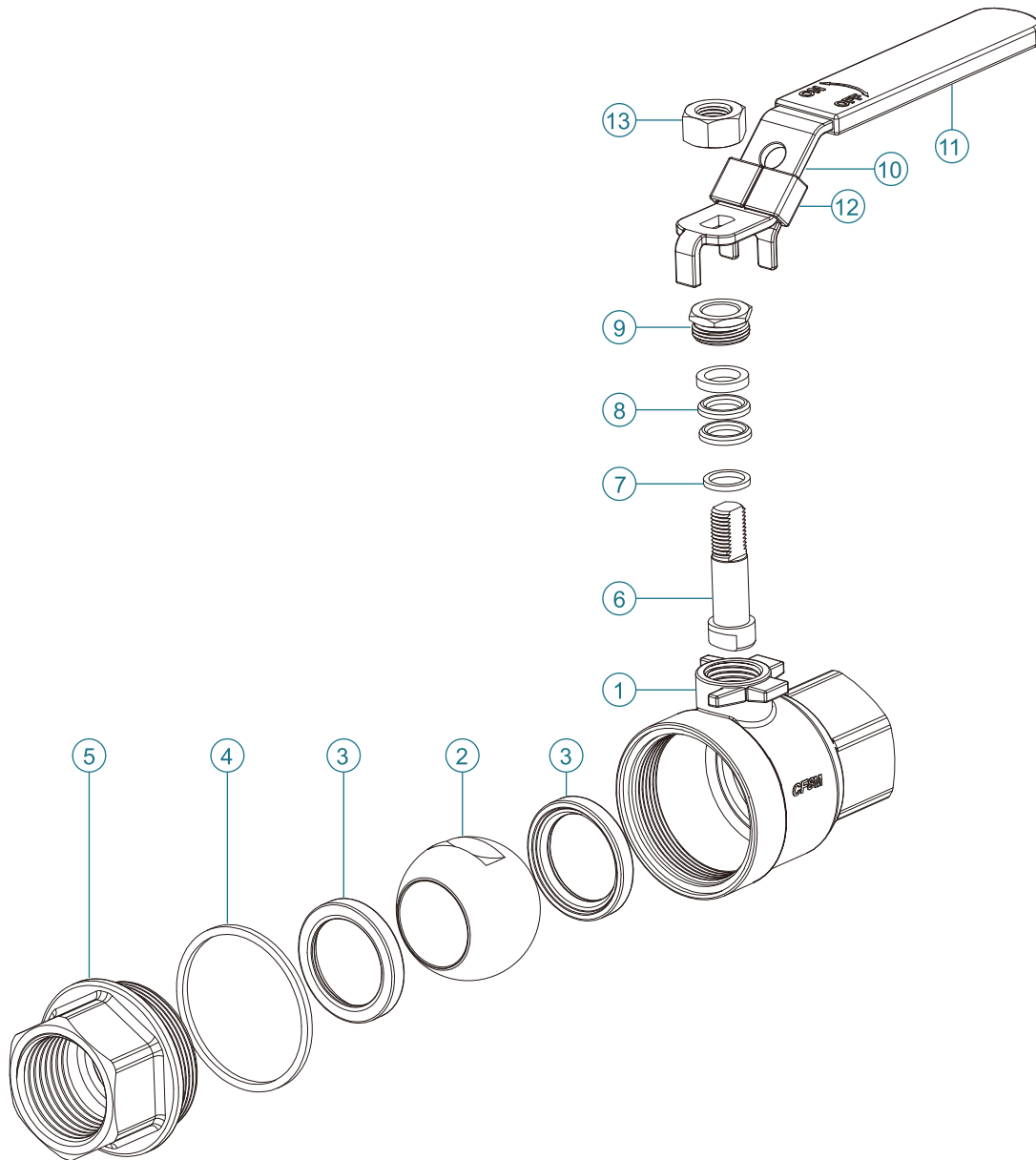
Connection:	Internal thread BSPP, external thread BSPT. Alternative NPT
Size range:	1/4" to 3"
Pressure rating:	1/4" to 2": PN63 2 1/2" to 3": PN40
Face to face:	DIN3202 M3
Body:	Stainless steel 316
Seat:	PTFE
Operation:	L-handle, with or without safety lock; T-handle

CE SIL3



CE, SIL3 and EU1935/2004 (European food approval) for Coreline ball valves.

Material part list



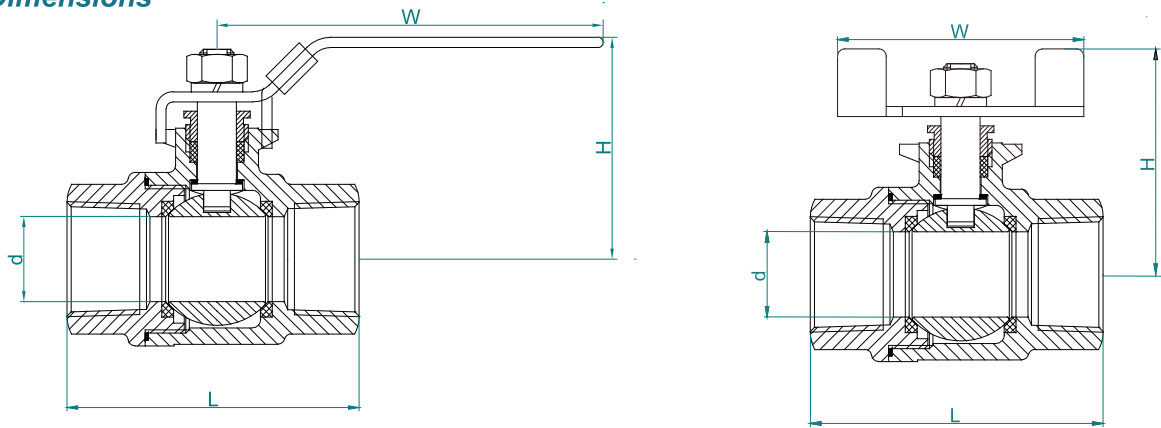
Item No.	Part name	Material	Specification
1	Body	Stainless steel	ASTM A351 CF8M
2	Ball	Stainless steel	AISI316
3	Seat	PTFE	
4	Body gasket	PTFE	
5 ¹⁾	Cap	Stainless steel	ASTM A351 CF8M
6	Stem	Stainless steel	AISI316
7	Thrust washer	PTFE	
8	Stem packing	PTFE	
9	Gland nut	Stainless steel	AISI304
10 ²⁾	Handle	Stainless steel	AISI304
11	Handle sleeve	Vinyl	
12	Locking device	Stainless steel	AISI304
13	Locking nut	Stainless steel	AISI304

1) Can provide Male thread cap on request.

2) Can provide T-handle on request.

Dimensions, pressure temperature curve

Dimensions

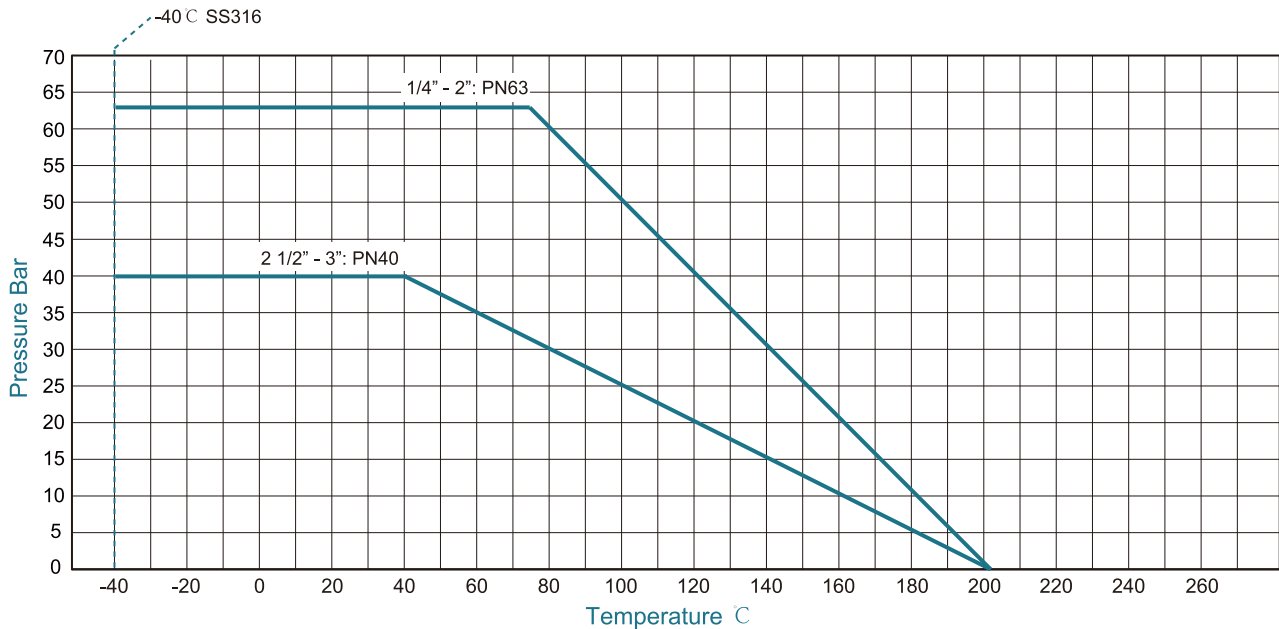


Size		d	L	H	W		Weight ¹⁾ [kg]	Kv ²⁾ [m³/h]
INCH	DN				L-handle	T-handle		
1/4"	DN8	10	55	49	92	52	0.3	6
3/8"	DN10	12	60	49	92	52	0.3	9
1/2"	DN15	15	75	52	110	52	0.3	16
3/4"	DN20	20	80	63	120		0.6	37
1"	DN25	25	90	67	130		0.8	69
1 1/4"	DN32	32	110	80	140		1.3	120
1 1/2"	DN40	38	120	93	175		2	198
2"	DN50	49	140	110	175		3	290
2 1/2"	DN65	64	185	117	220		6	340
3"	DN80	76	205	134	270		9	498

1) Weight is for valve with locking device, PS: 0.03kg/pc for locking device.

2) Kv values at 1bar ΔP when valve is in 90° open position.

Pressure temperature curve - PTFE



Coreline

CORELINE LTD.

Add: No.4 Wangjiang Road, Muqiao Town, Zhengpugang New District,
238200 Hexian, Ma'anshan City, Anhui Province, China

The contents of this catalogue are confidential and proprietary to Coreline, we reserve the right to change the specifications without any notice.

Http: // www.coreline.dk

E-mail : mail@coreline.cn